

GENERAL:

Operating instructions for the model series Lumistar Luminaire USL 03LED

| Nennspannung | Nennleistung | Sachnummer |
|--------------|--------------|-------------|
| 24 V AC/DC | 5 W | 3542.203.00 |

The operating instructions contain important information on commissioning and handling.

Read the operating instructions, especially the safety instructions, carefully before using the luminaire.

Failure to comply with these operating instructions may result in serious injury or damage to the luminaire.

The operating instructions are based on the standards and regulations valid in the European Union.

When abroad, also observe country-specific guidelines and laws.

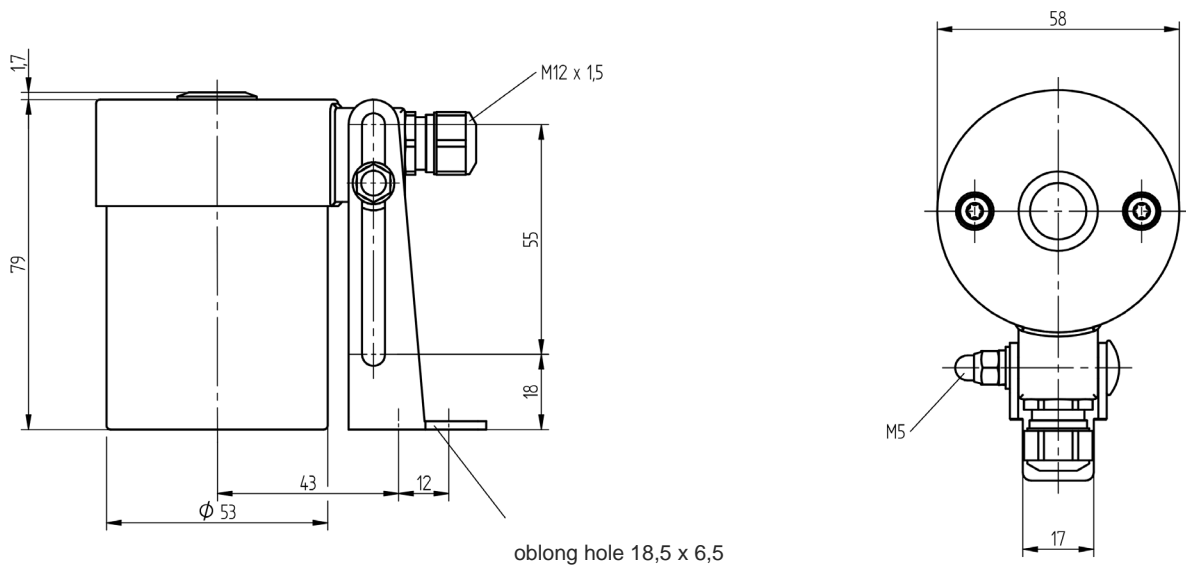
If you pass the luminaire on to a third party, be sure to include these operating instructions.

The pictures in the operating instructions are for illustration purposes only and are neither true to scale nor do they show the delivery condition.

Keep the operating instructions for further use.

USE IN ACCORDANCE WITH REGULATIONS:

| | |
|---|--|
| ! | This luminaire is designed for a specific purpose and is designed exclusively for mounting on or on sight glass fittings. |
| ! | The data on the rating plate must be observed. The existing cable gland may never be loosened or removed. Any improper replacement of components will invalidate the warranty. |
| ! | Use original spare parts only. |
| ! | Repairs may only be carried out by the manufacturer without exception. Contact here for: F.H. Papenmeier GmbH & Co. KG Talweg 2, 58239 Schwerte Phone: +49 2304 205 0 Mail: info@lumiglas.de |
| ! | Caution: Never look into the light source - risk of visual impairment. |
| ! | The luminaire may never replace the cover flange or replace the complete sight glass flange mount, or be used to cover a tank opening. |
| ! | Ensure that the sight glass luminaire is connected to the correct voltage as indicated on the rating plate. |
| ! | Do not open the luminaire when it is under voltage. |
| ! | After De Energizing delay 4 Minutes before opening. |
| ! | Surface of the luminaire can become hot during continuous operation. |



oblong hole 18,5 x 6,5

FASTENING

With the circular sight glass fitting and the visual flow indicators, the luminaire is fixed to the cover flange with the hinged bracket. With the screw-type sightglass fitting, the luminaire is fixed on the cover nut; alternatively with hinged bracket or flanged adapter.

FASTENING VIA HINGED BRACKET:

The hinged bracket is fixed on the required hole circle with the supplied screw (M6), in a threaded blind hole to be drilled beforehand. Alternatively, the hinged bracket can be welded on.

FASTENING VIA FLANGED ADAPTER:

The flanged adapter is mounted on the cover nut (DIN 11851) (welded or screwed connection).

NOTE

Spare parts are available separately if required. (see table)

ELECTRICAL CONNECTION:

The connecting cable (5 m) is firmly connected to the luminaire via the cable entry. The luminaire is internally wired and ready for operation.

GENERAL OPERATING CONDITIONS

| | |
|---|--|
| Operating mode | Continuous operation, push-button and switching operation |
| Ambient temperatures | Approved for use in ambient temperatures -20°C to +50°C (touch operation max. 70°C) |
| Pressure/Vacuum | Use independent of Internal tank pressure/vacuum |
| Voltage, power, temperature class, Protection class | Can be taken from the rating plate. |
| Type of voltage | DC voltage and AC voltage |
| Permissible Voltage tolerance | 10 % |
| Maintenance | Keep the luminaire clean. Use only original spare parts. |
| Replacement parts | Seal ring (bolt): 0858.001.00 O-ring seal (luminaire head): 0862.094.00 LED-module 18°: 3858.300010 LED-module 30°: 3858.300014 |
| Accessories | Mounting flange DN 50: L1356.027.00 Mounting flange DN 65: L1356.030.00 Mounting flange DN 80: L1356.031.00 |
| Note | Please order luminaire mounting and mounting key separately if required. |