

**APPLICATION:**

The Lumistar Ex blinking luminaire is suitable for vehicles in the industrial sector, e.g. forklift trucks, lift trucks and tank trucks, which operate predominantly in potentially hazardous areas. Approved in hazardous areas.

Gas: Zone 1 and 2

Dust: Zone 21 and 22

**PROTECTION CLASS:**

IP65/IP67 according to EN 60529/DIN VDE 0470 Part 1

**AMBIENT TEMPERATURE:**

-20°C to +50°C

**ELECTRICAL DATA:**

Voltage: 12 V DC/24 V DC

Nominal power: max. 2 W

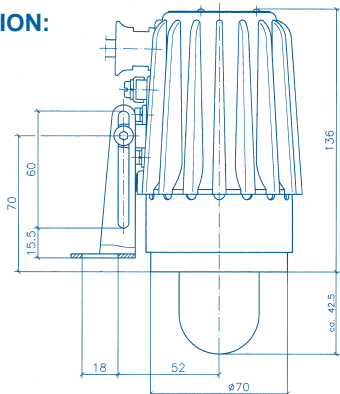
**ELECTRICAL CONNECTION:**

Cable entry on the side of the luminaire base  
Cable length: 5 m

**FASTENING:**

With hinged bracket or three-point fixing.

**DIMENSION:**



**TECHNICAL DATA:**

Certification according to 2014/34/EU directive

This luminaire meets the essential safety and health requirements by complying with the regulations for:

Gas	
EN IEC 60079-0:2018	General requirements
EN 60079-1:2014	Flame proof enclosure „d“
Explosion group	IIC (includes IIA and IIB)
Temperature class	T6

Dust	
EN IEC 60079-0:2018	General requirements
EN 60079-31:2014	Protection by enclosure „t“
Explosion group	IIIC (includes IIIA and IIIB)
Temperature class	T80°

EU-Type Examination Certificate:

BVS 08 ATEX E 134

II 2G Ex db IIC T6 Gb  
 II 2D Ex tb IIIC T80°C Db

Ambient temperature range:

-20°C ≤ T<sub>a</sub> ≤ +50°C

Materials	
Luminaire body	Aluminium
Glass	Borosilicate
Fastening parts	Stainless steel

**WEIGHT:**

1,8 kg

**Order specifications (example):**

Part no. 3542.540.00, Lumistar luminaire USL 45LED A Ex with hinged bracket