

**GENERAL:**

Read the operating instructions and keep them in a safe place. These operating instructions belong to the following luminaire types of the model series USL 06LED Ex.

| Rated voltage  | Nominal power | Part - No   |
|----------------|---------------|-------------|
| 12 V / 24 V DC | 9 W           | 3542.230.00 |
|                |               | 3542.231.00 |
|                |               | 3542.232.00 |
|                |               | 3542.233.00 |
| 24 V AC / DC   | 14 W          | 3542.235.00 |
|                |               | 3542.236.00 |
|                |               | 3542.237.00 |
| 220 – 240 V AC | 7 W           | 3542.245.00 |

Table 1 Luminaire types

The operating instructions contain important information on commissioning and handling. Read the operating instructions, especially the safety instructions, carefully before using the luminaire. Failure to comply with these operating instructions may result in serious injury or damage to the luminaire. The operating instructions are based on the standards and regulations valid in the European Union. When abroad, also observe country-specific guidelines and laws. Keep the operating instructions for further use. If you pass the luminaire on to a third party, be sure to include these operating instructions. The pictures in the operating instructions are for illustration purposes only and are neither true to scale nor do they show the delivery condition.

**USE IN ACCORDANCE WITH REGULATIONS:**

|   |   |                   |
|---|---|-------------------|
| ! | Sightglass luminaires are purpose-built and designed exclusively for fitting to or on sightglass flange mountings. Under no circumstances may a sightglass luminaire replace the cover flange or the complete sightglass flange socket or be used directly to cover a container opening.  |                   |
| ! | Luminaires for the Ex area may only be installed and serviced by personnel expressly trained and authorised for this purpose. The data on the nameplate (Illustration 1) must be observed. Some Lumiglas Ex luminaires are equipped with a cast-in cable gland. Under no circumstances may the cable gland be unscrewed or removed. Any improper replacement of components in Ex-approved luminaires will invalidate the Ex-protection. |                   |
| ! | Only use original spare parts.  |                   |
| ! | Repairs may only be carried out by the manufacturer without exception. Contact here for:<br>F.H. Papenmeier GmbH & Co. KG<br>Talweg 2<br>58239 Schwerte<br>Tel.: +49 2304 205 0<br>E-Mail: info@lumiglas.de   |                   |
| ! | Clean the luminaire with a damp cloth. Do not use harsh cleaners.   |                   |
| ! | A cable suitable for the cable gland must be selected.  |                   |
| ! | Ambient temperature range   | Temperature class |
|   | -20°C ≤ T <sub>a</sub> ≤ +50°C  | T6 / T80°C        |
| ⚠ | Ensure that the sightglass luminaire is connected to the correct voltage as indicated on the nameplate.   |                   |
| ⚠ | Do not open the luminaire when it is under voltage.   |                   |
| ⚠ | After De Energizing delay 4 Minutes before opening.   |                   |
| ⚠ | Caution: Do not look into the light source - risk of visual impairment.   |                   |
| ⚠ | Surface of the luminaire can become hot during continuous operation.  |                   |

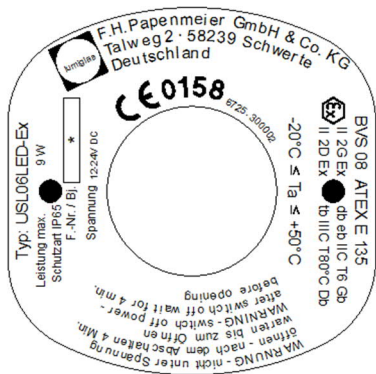


Illustration 1 nameplate

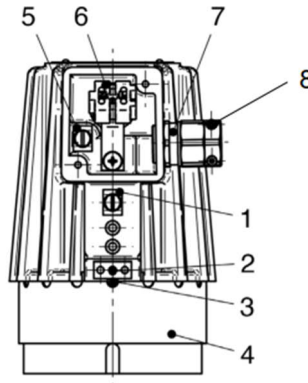


Illustration 2 Luminaire construction

|        |   |
|--------|---|
| Pos. 1 | Protective conductor terminal outside   |
| Pos. 2 | Locking screw                           |
| Pos. 3 | Safety lug                              |
| Pos. 4 | Screw sight glass                       |
| Pos. 5 | Protective conductor terminal, internal |
| Pos. 6 | Ex terminal                             |
| Pos. 7 | Cable gland M20x1,5                     |
| Pos. 8 | Strain relief screws                    |

**FASTENING:**

With the circular sight glass fitting and the visual flow indicators, the luminaire is fixed to the cover flange with the hinged bracket. With the screw-type sightglass fitting, the luminaire is fixed on the cover nut; alternatively with hinged bracket or flanged adapter.

**FASTENING VIA HINGED BRACKET:**

The hinged bracket is fixed on the required hole circle with the supplied screw (M8), in a threaded blind hole to be drilled beforehand. Alternatively, the hinged bracket can be welded on.

**FASTENING VIA FLANGED ADAPTER:**

The flanged adapter is mounted on the cover nut (DIN 11851) (welded or screwed connection).

**NOTE:**

Spare parts are available separately if required. (see table 2)

**ELECTRICAL DATA IN GENERAL:**

- Voltage, power, temperature class and protection class can be found on the nameplate. The nameplate must be observed!
- Ex approval according to EU type examination certificate:  
BVS 08 ATEX E 135  
II 2G Ex db eb IIC T6 Gb  
II 2D Ex tb IIIC T80°C Db

Voltage type: AC voltage / DC voltage (per luminaire type)

**ELECTRICAL CONNECTION:**

- Select the connection cable to match the M20X1.5 cable gland. For ambient temperatures > 40°C, use a temperature-resistant cable, e.g. Sinotherm 110 H05GG-F3G 1.5mm<sup>2</sup>. The minimum temperature resistance of the connection cable (if listed) can be found on the name plate.
- Open the cover of the luminaire.
- Loosen the screws of the strain relief with the anti-rotation lugs (Pos.8) of the cable entry socket.
- Insert cable, seal, tighten screws.
- Wire to Ex terminal (pos. 6) Check for correct polarity; rated cross-section max. 2.5mm<sup>2</sup>; protective conductor to terminal (pos. 5 inside). The external protective conductor terminal (pos. 1) must be connected to a separate operating ground.
- Check whether the seal is tight in the cover, readjust if necessary.
- Close the cover with the seal.

**CHANGE LENSES:**

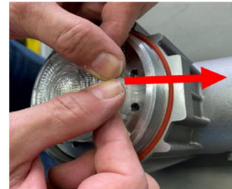


Illustration 3 Change lenses

- Loosen the locking screw (pos. 2) and the safety latch (pos. 3).
- Unscrew the screw sight glass (pos. 4).
- Lift the lens with your index finger and push the nose away with your thumb.

**SPARE PARTS AND ACCESSORIES:**

| Article                  | Part-no:    |
|--------------------------|-------------|
| Screw sight glass        | 1774.003.00 |
| O-ring gasket (Viton)    | 0862.039.00 |
| Flat gasket cover        | 0854.038.00 |
| Cable gland M20x1.5; Exe | 9108.008.00 |
| Assembly spanner         | 6805.001.00 |

Table 2 Accessories