

Lumiglas Light/Sight Glass Fitting ESKS and SKS with LED technology

- Hinged sight glass frame with or without luminaire

- **Application:**

ESKS integral light/sight glass fittings have a quick release closure, so that they are a combination of charge/access port and light/sight glass. The integrated luminaire illuminates the internal of boilers, tanks, bunkers, silos, mixers and other vessels in all non Ex hazardous areas.

SKS type sight glass ports are of the same design, except they have no luminaire. Both types are suitable for food processing. Usually these fittings come with a weld flange, but for flat vessel walls they can also be installed with a bolt-on flange.

- **Safety precaution:**

The fitting must never be opened before the pressure inside the vessel is reduced to zero!

Caution: Do not look into light – danger of impaired eyesight!

- **Protection:**

When correctly fitted, dust and waterjet proof to IP 65, EN 60 529 / DIN VDE 0470 T1

- **Ambient condition operating range:**

- The fitting is vacuum proof and resistant to:
0.5 bar type SKS/ESKS 225; 1.0 bar type SKS/ESKS 150
- Maximum vessel temperature:
150°C with soda lime glass; 200°C with borosilicate glass
- Ambient temperature: maximum 45°C for the luminaire

- **Electrical data:**

ESKS 150: 24 V AC/DC – 6 W or 10 W
ESKS 225: 24 V AC/DC, 230 V AC – 15 W

- **Transformers** can be supplied as extra item

- **Combination** with Lumiglas sight glass wiper SWI is possible

- **Mechanical fitting:**

The fitting comes ready assembled.

Before welding, the sight glass frame and the hinge assembly should be removed from the base flange. Check desired position i.e. direction of swing. The lug and hinged assembly holes are not identically spread. The weld flange must be welded into the vessel wall free of distortion; bolt-on flanges require an entirely flat vessel wall.

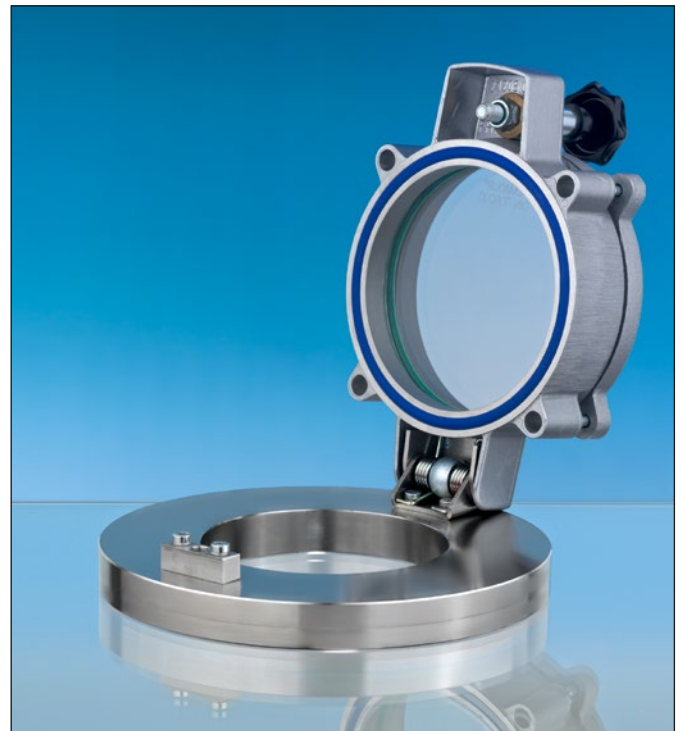
- 1 Lumistar luminaire (only with ESKS)
- 2 luminaire frame with sight glass
- 3 weld flange (resp. bolt-on flange with drilled holes)
- 4 closure knob
- 5 closure lug
- 6 hinged assembly
- 7 astening ring (only with SKS, instead of luminaire)

CE

3755.666

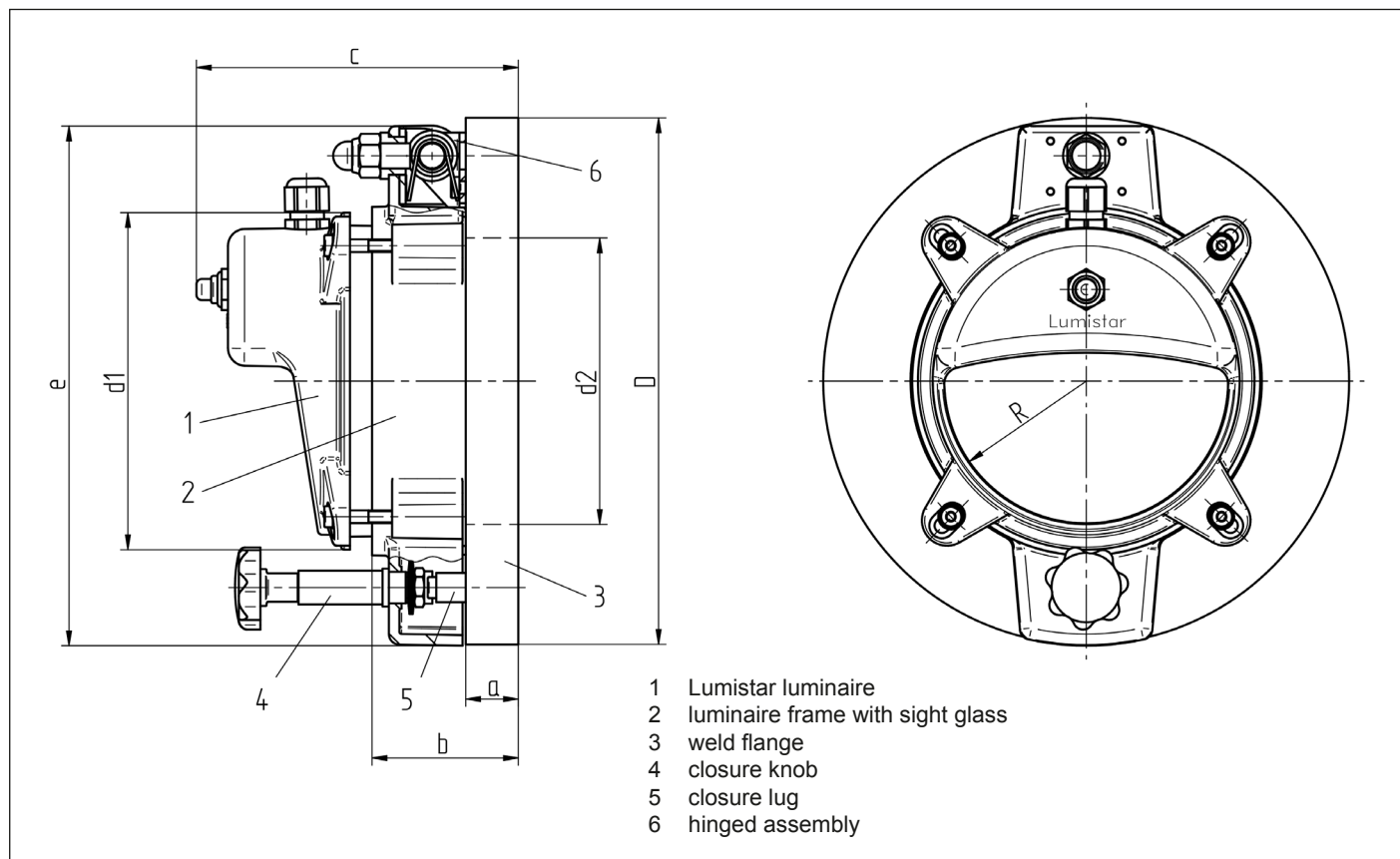


Lumiglas light sight glass fitting ESKS



Lumiglas sight glass fitting SKS

• **Dimensions and electrical data of Lumiglas light/sight glass fittings ESKS and SKS:**



• **Parts, construction and materials:**

- Luminaire body: corrosion resistant die cast aluminium, painted RAL 9007
- Weld flange: steel S235JR+N (RSt 37-2) oder stainless steel, e.g. 1.4541 or 1.4571
- Sight glass disc: toughened (tempered) soda-lime glass or borosilicate
- Seals: silicon rubber
- Lock: galvanized or painted steel; star handle: plastic

Type		ESKS 150	SKS 150	ESKS 225	SKS 225
Dimensions	a	25	25	25	25
	b	71	71	80	80
	c	185.5	90	167	100
	d ₁	165	165	235	235
	e	247	247	333	333
	d ₂	136	136	205	205
	D	250	250	335	335
	R	70	70	104	104
Voltage		24 V AC/DC	no luminaire just sight glass	24 V AC/DC; 230 V AC	no luminaire just sight glass
Power		6 W or 10 W		15 W	

• **Order data:** e. g. Lumiglas light/sight glass fitting type 150, 24 V – 6 W, weld flange 1.4571, max. temp. 200°C

• **Special design:** Upon request all metal parts getting in contact with the product can be realised in stainless steel.