

**YESTERDAY, TODAY
AND IN THE FUTURE**

BROAD PERSPECTIVE

- When the main focus is on effectiveness
- Individual solutions with a high integration level and maximum benefits
- Installation is simple and fast:
low-maintenance, robust and durable in use



PAPENMEIER
Lumiglas

F.H. Papenmeier GmbH & Co. KG
Talweg 2, 58239 Schwerte, Germany
Phone: +49 2304 205 0
Fax: +49 2304 205 206
info@lumiglas.de
www.lumiglas.de



PAPENMEIER QUALITY

- DIN EN ISO 9001: 2015, TÜV NORD
- Dekra/Exam according to ATEX 2014/34/EU

PAPENMEIER
Lumiglas

Lumiglas Signalling Device M55-BD-Ex

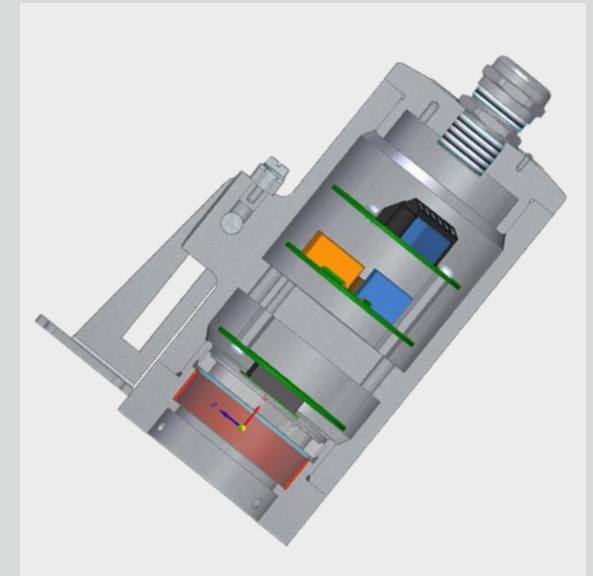
for the plus in safety



Subject to change without prior notice
Picture credits: ©stock.adobe.com/F.H. Papenmeier GmbH&Co. KG 05.20

PAPENMEIER
Lumiglas

Lumiglas Signalling Device M55-BD-Ex for the plus in safety



PRODUCTS

- The M55-BD-Ex switches light or other loads in Ex-indoor or Ex-outdoor areas automatically.
- The motion detector is equipped with radar sensor technology and the twilight switch is realized by an optical sensor.
- Motion detector and twilight switch can be used separately or in combination.



APPLICATION

- Alarm when entering hazardous areas
- Switching lights on and off depending on brightness and/or motion
- Useful as a signal generator for acoustic and optical devices (e.g. horns, warning lamps)
- Leakage detector on or below container and/or installations (responds to drops)
- Potential-free contact means that the M55-BD-Ex can also be used to generate signals for other control units.



TECHNICAL DATA

- Stainless steel body
- 230 V AC or 24 V AC/DC with potential-free contact
- Parameterizable sensitivity
- Radar sensor
- Energy-efficient
- Protection class: IP 65 and IP 67
- For use in ambient temperatures: -20°C to +40°C